

VERT 70

VERTICAL SLIDING WINDOW

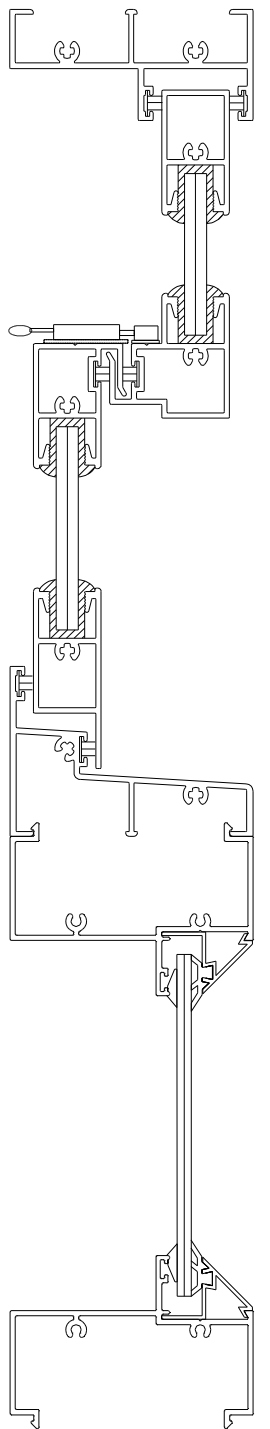
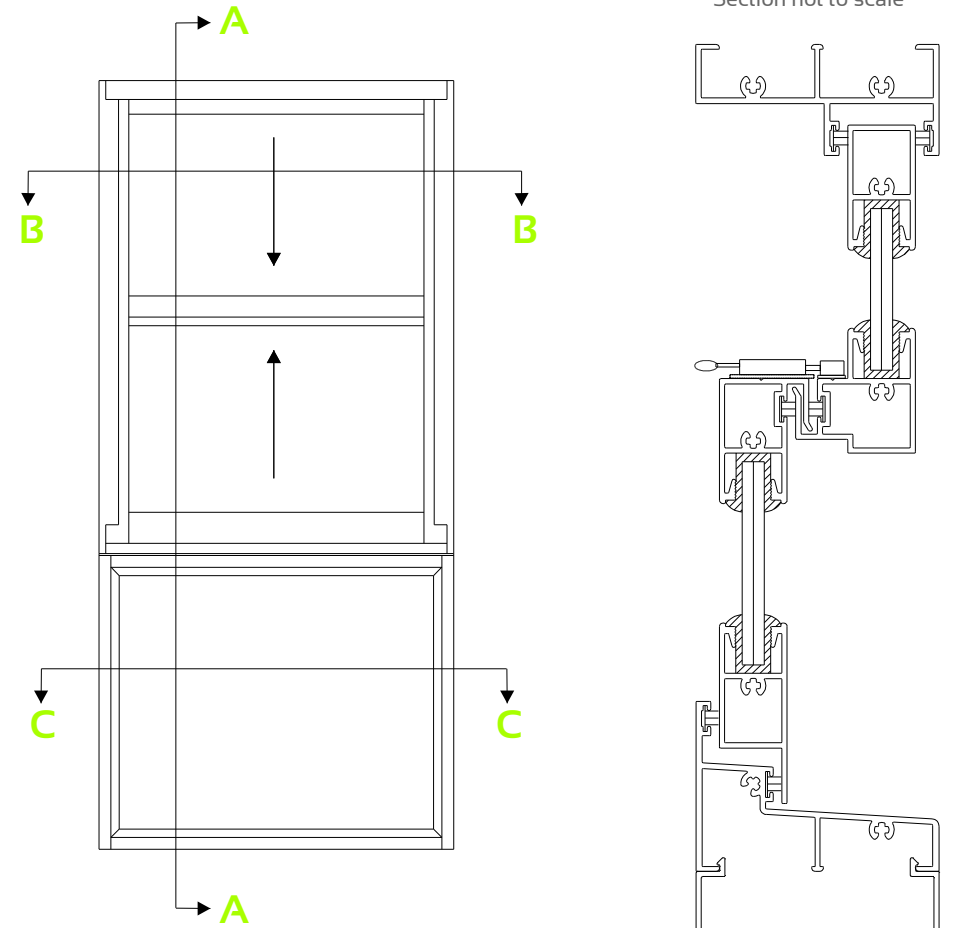


crealco

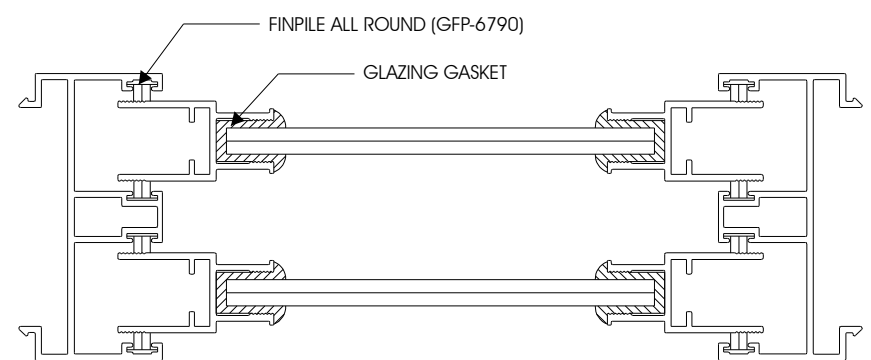
Product WallChart

Vert 70 Sliding Window

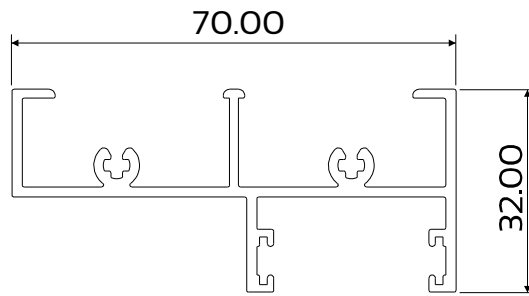
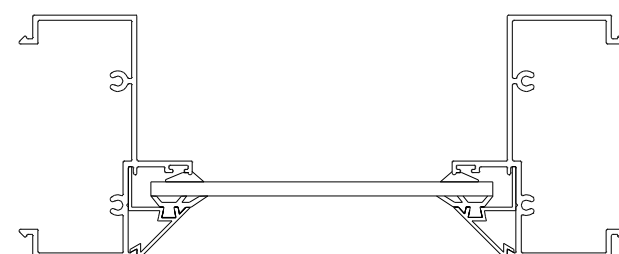
SECTION B-B
Section not to scale



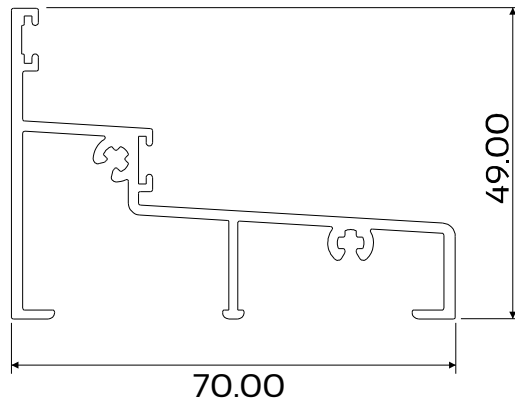
SECTION B-B
Section not to scale



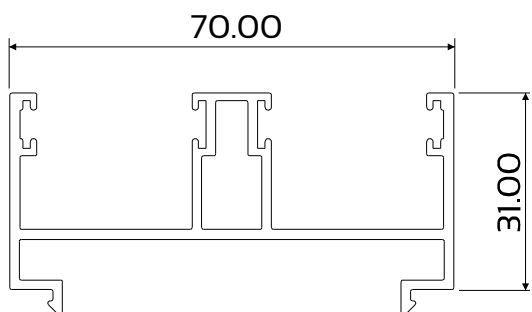
SECTION C-C
Section not to scale



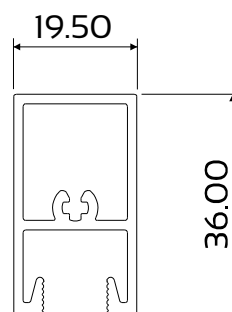
DIE No. W31784 Head Rail Outer Frame



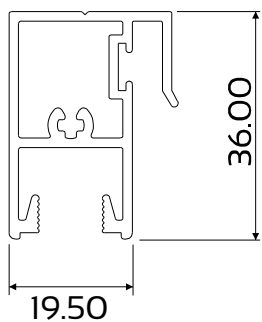
DIE No. W31785 Sill Rail Outer Frame



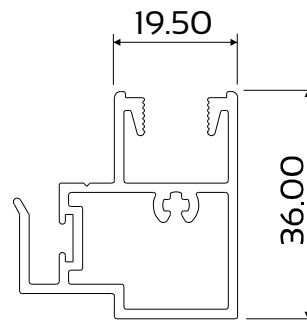
DIE No. W55572 Jamb Outer Frame



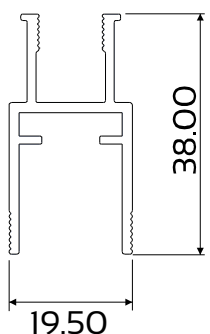
DIE No. W55575 Head Top Sash



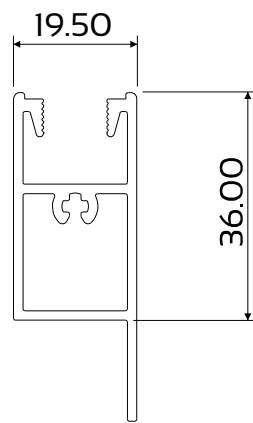
DIE No. W55573 Interlock Bottom Sash



DIE No. W55574 Interlock Top Sash



DIE No. W31783 Jamb Sash Frame



DIE No. W55576 Sill Bottom Sash

Disclaimer: The right to make alterations is reserved.

Please refer to system manual for additional information

© Copyright 2013, Wispeco (pty) Ltd.

July 2014

GAUTENG
678 Potgieter Street
Alrode
PO Box 124167
Alrode
1451
Tel: +27 11 389 0067
Fax: +27 11 908 0045
Kenny Baloi
systems@wispeco.co.za

WISPECO
Aluminium